

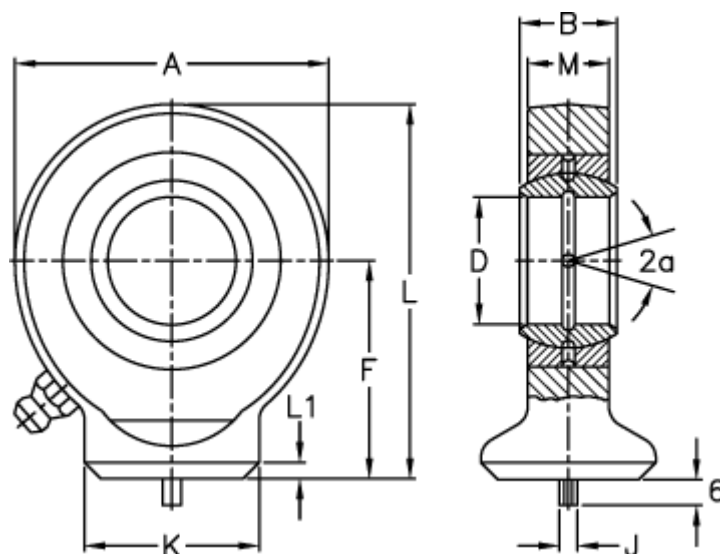
Data Sheet



Article number: 03555080

Description: Fluro hydraulic rod end FS 80C

Measures



| | | | |
|---------------------|-------|---------------------|---------|
| A | = 180 | L | = 231 |
| a (degrees) | = 6 | L1 | = 10 |
| B | = 55 | M | = 47 |
| D | = 80 | Static load C0 (kN) | = 620 |
| Dynamic load C (kN) | = 400 | Weight | = 10800 |
| F | = 141 | | |
| J | = 6 | | |
| K | = 95 | | |